

# Propel Ceiling Fan

120v: **3-106-xx**

oxygen

FIXTURE TYPE \_\_\_\_\_

LOCATION \_\_\_\_\_

PROJECT \_\_\_\_\_

DATE \_\_\_\_\_



-22 Oiled Bronze



-6 White



-24 Satin Nickel

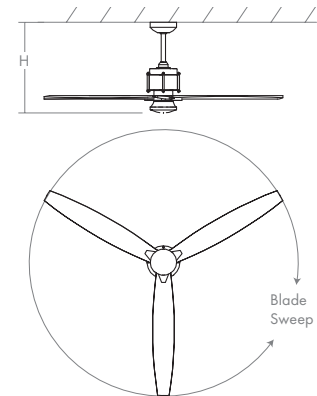
**SPECIFICATIONS** 3 Blades / 56" Blade Sweep / 16° Blade-Pitch  
 4.5" downrod (Included).  
 Optional downrods available for high ceilings  
 6 Speeds - Reversible  
 0.42A on high / 0.08A on low  
 25W on high / 3W on low  
 191 rpm on high / 75 rpm on low  
 Remote Control 3-8-3000 (Optional - Not Including)

**INPUT VOLTAGE** 120V

**ENERGY SPECIFICATIONS** Airflow: 5116 CFM  
 Electric Energy Consumption: 25 W (Excludes Light)  
 Airflow Efficiency: 204 CFM/W  
 Note: Measured at high speed

**FINISHES** White (-6), Oiled Bronze (-22), Satin Nickel (-24)

**STANDARDS** ETL Dry



**DIMENSIONS**

**Blade Sweep:** 52.00"

**Ht.:** 15.25"

**Ceiling to Blades:** 11.5"

**LIGHT INFORMATION**

**LUMEN OUTPUT** 811 lm (LM-79)

**LIGHT SOURCE** LED Light kit 15W, 3000K, 90CRI  
 Dimmable LED with White Glass diffuser

ENERGYGUIDE	
Estimated Yearly Energy Cost <b>\$5</b>	Airflow <b>3,710</b> Cubic Feet Per Minute
<small>Cost Range of Similar Models (19" - 84")</small>	
<small>• Based on 12 cents per kWh and 6.4 hours use per day                  • Your cost depends on rates and use                  • Energy Use: 18 Watts</small>	
<small>All estimates based on typical use, excluding lights</small>	

